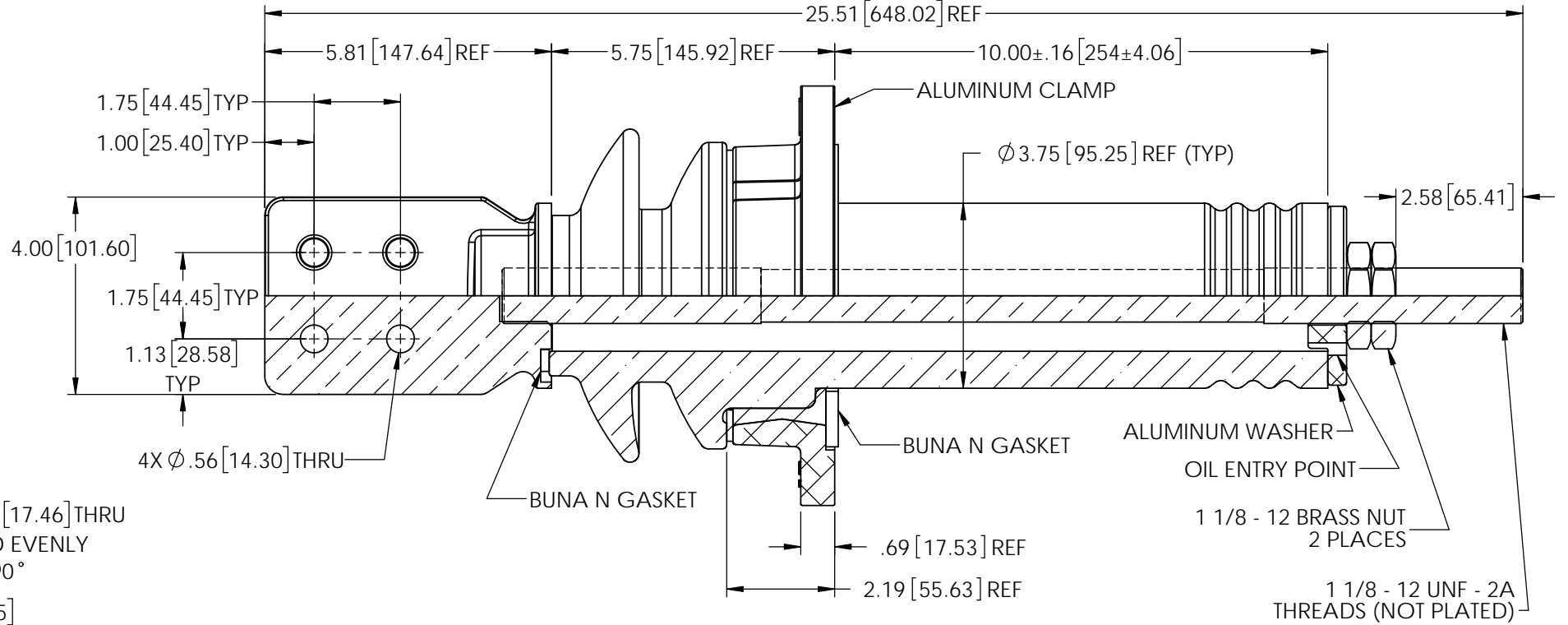
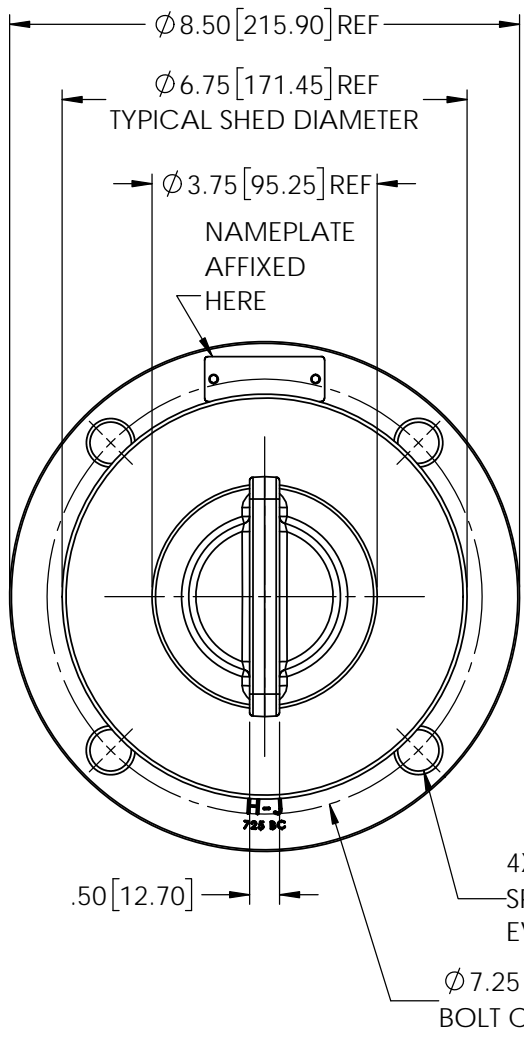


REVISIONS					
REV	DATE	ECN #	DESCRIPTION	BY	APPD



MATERIAL:  
 STUD - COPPER C11000  
 SPADE - C84400 TIN PLATED

NOTES:  
 1. SHANK TO FIT INTO  $\phi$  4-1/4" TANK HOLE.  
 2. FOR HORIZONTAL OR VERTICAL MOUNTING.  
 3. MINIMUM COLD OIL LEVEL - 4" UP SHANK.

PORCELAIN NOTES:  
 1. WET PROCESS ELECTRICAL PORCELAIN.  
 2. GRAY GLAZE MUNSELL 5BG 7.0/0.4  
 3. TOLERANCE  $\pm$ 3% WITH NOTHING LESS THAN  $\pm$ .03", UNLESS OTHERWISE NOTED ON DRAWING.

- SPECIFICATIONS:
- VOLTAGE RATING ..... 5kV CLASS
  - BASIC IMPULSE LEVEL ..... 75kV BIL
  - NOMINAL CURRENT RATING ..... 994 AMPS @ 1000A / SQ.-IN.
  - CREEP DISTANCE (MINIMUM) ..... 6.38 [162.05]
  - STRIKE DISTANCE (MINIMUM) ..... 4.16 [105.66]
  - APPROXIMATE WEIGHT ..... 29.12 LBS

**PROPRIETARY AND CONFIDENTIAL**  
 THE INFORMATION CONTAINED IN THIS DRAWING IS THE SOLE PROPERTY OF H-J ENTERPRISES, INC. ANY REPRODUCTION IN PART OR AS A WHOLE WITHOUT THE WRITTEN PERMISSION OF H-J ENTERPRISES, INC. IS PROHIBITED.

TOLERANCES (EXCEPT AS NOTED)	
DECIMAL	.X" = $\pm$ .1" .XX" = $\pm$ .06" .XXX" = $\pm$ .03"
ANGULAR	+/- 1 Degrees



**H - J ENTERPRISES, INC.**  
 3010 HIGH RIDGE BLVD. HIGH RIDGE, MO. 63049 USA  
 PHONE 1-636-677-3421 FAX 1-636-376-1915

**5 kV CLASS POWER BUSHING**

MATERIAL (SEE DRAWING)		
CHK'D	APP'D	DRAWING NO.
		AS1705-001
DRAWN BY	DATE	SCALE
SMM	1/25/2013	N.T.S.